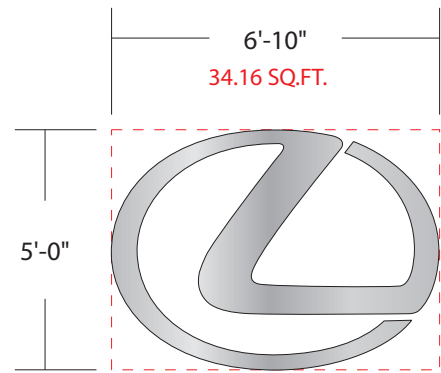


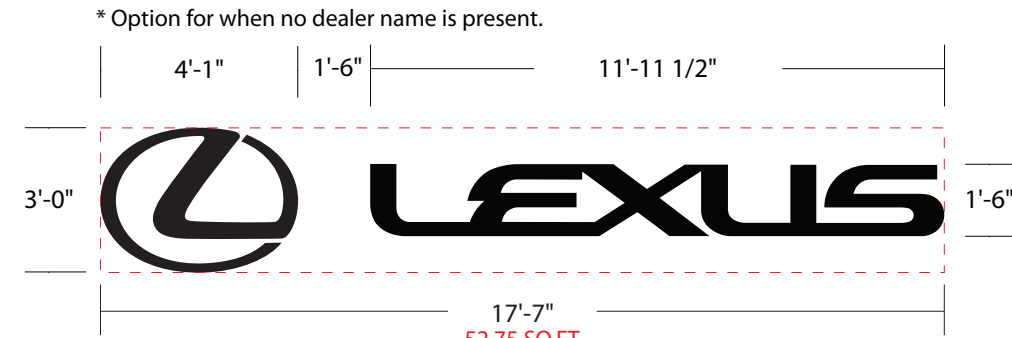
Lexus Exterior Building Signage



SG1
SYM-60 (Symbol)

Illuminated Lexus Logo for Tower Signage Specifications:

- Mustang Bright Brushed acrylic flat face
- 3M LD-50 diffuser vinyl applied second surface
- Black trim-cap retainers
- Aluminum returns painted black
- White LED illumination
- Electrical hook-up supplied by others
- Installed on tower



SG2
HBS-36 (Horizontal Brand Signature)

* Option for when no dealer name is present.



SG3
DN-18 (Dealer Name)



SG4
PO-18 (Pre-Owned)



SG5
SER-18 (Service)

Illuminated Lexus Logo & Letters Signage Specifications:

- Aluminum cabinets & F-Trim black
- #2447 white acrylic faces with a #2074 gray acrylic overlay
- Illuminated white LED
- Electrical hook-up supplied by others

Signs	Square Footage
SG1 – SYM-60 – 5' Lexus Logo	34.16 SQ.FT.
SG2 – HBS-36 – Lexus Logo & Letterset	52.75 SQ.FT.
SG3 – DN-18 – LEXUS OF WAYZATA Dealer Name Letters	61.70 SQ.FT.
SG4 – PO-18 – PRE-OWNED Letters	35.4375 SQ.FT.
SG5 – SER-18 – SERVICE Letters	26 SQ.FT.
35' Lexus Main Brand Sign - EXISTING	27.60 SQ.FT.
19' Lexus CPO Pylon Sign - EXISTING	29.16 SQ.FT.
Total Square Footage	266.8075 SQ.FT.

Project ID

AD2-32758

Date: 02-20-2020
Scale: 1/4"=1'-0"
Sales: A. DiMarco
Designer: R. Ferrara

Rev. #: R1 - AK
Date: 05-20-21

Revision Note:

Conceptual

Information Required:

Master

Electrical

120V 347V
 Other _____

Customer Approval

Signature _____

MM/DD/YYYY _____

It is the Customer's responsibility to ensure that the structure of the building is designed and constructed to accept the installation of the signs being ordered. Please ask PSG to provide further details if required.

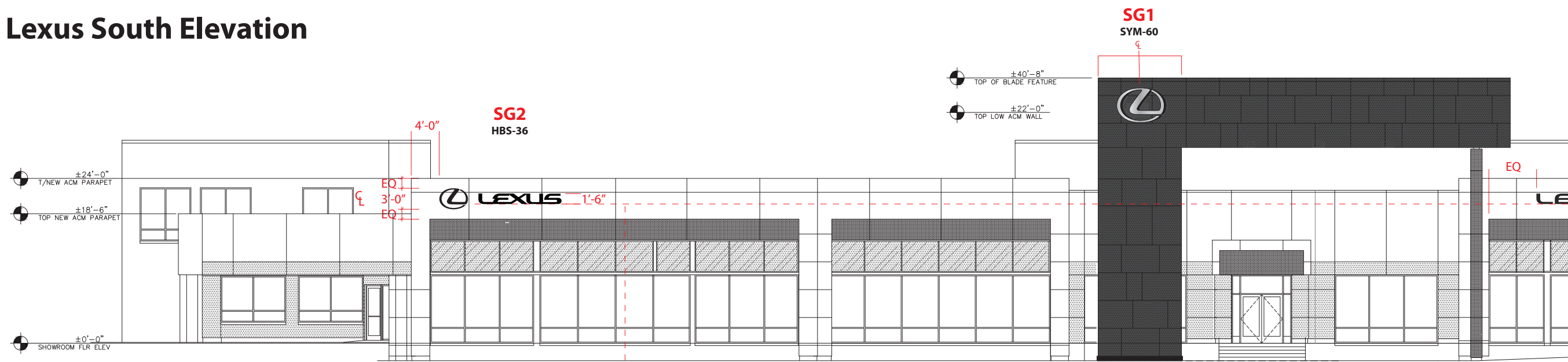
All rights reserved. The artwork depicted herein are copyright and are the exclusive property of Pattison Sign Group and as such cannot be reproduced in whole or in part without written permission by Pattison Sign Group.

Lexus of Wayzata
16100 Wayzata Blvd.
Wayzata, MN.

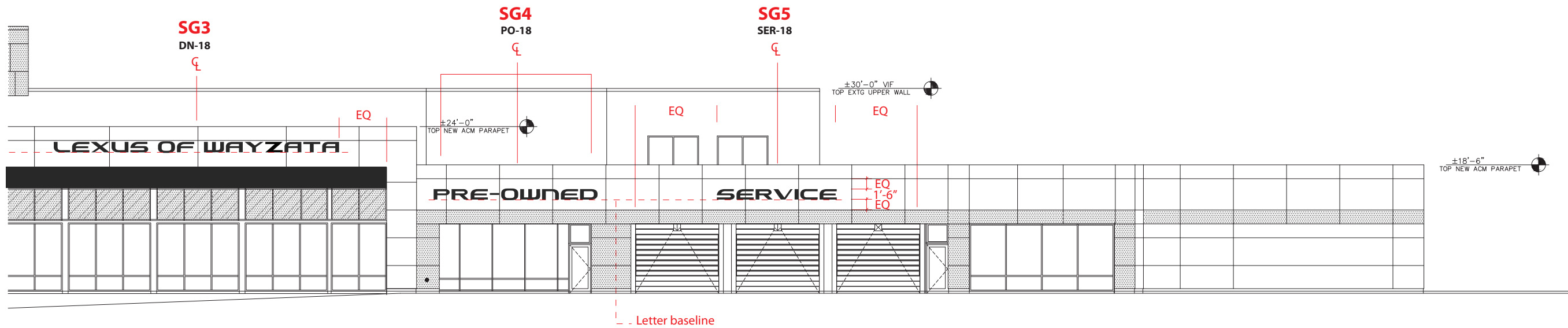
Sign Item

SG1 - SG5

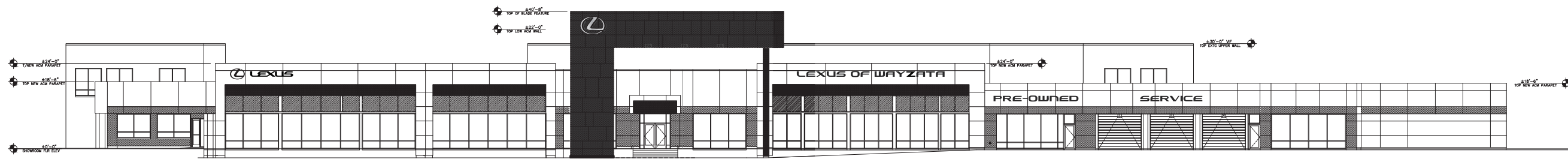
Lexus South Elevation



1 SOUTH ELEVATION—WEST HALF
SCALE: 1/8" = 1'-0"



2 SOUTH ELEVATION—EAST HALF
SCALE: 1/8" = 1'-0"



SOUTH ELEVATION

Project ID

AD2-32758

Date: 02-20-2020
Scale: 1/16"=1'-0"
Sales: A. DiMarco
Designer: R. Ferrara

Rev. #: R1
Date: 01-21-2021

Revision Note:
New updated elevation

Conceptual

Information Required:

Master

Electrical

120V 347V
 Other _____

Customer Approval

Signature _____
MM/DD/YYYY _____

It is the Customer's responsibility to ensure that the structure of the building is designed and constructed to accept the installation of the signs being ordered. Please ask PSG to provide further details if required.

All rights reserved. The artwork depicted herein are copyright and are the exclusive property of Pattison Sign Group and as such cannot be reproduced in whole or in part without written permission by Pattison Sign Group.

Lexus of Wayzata
16100 Wayzata Blvd.
Wayzata, MN.

Sign Item
South Elevation